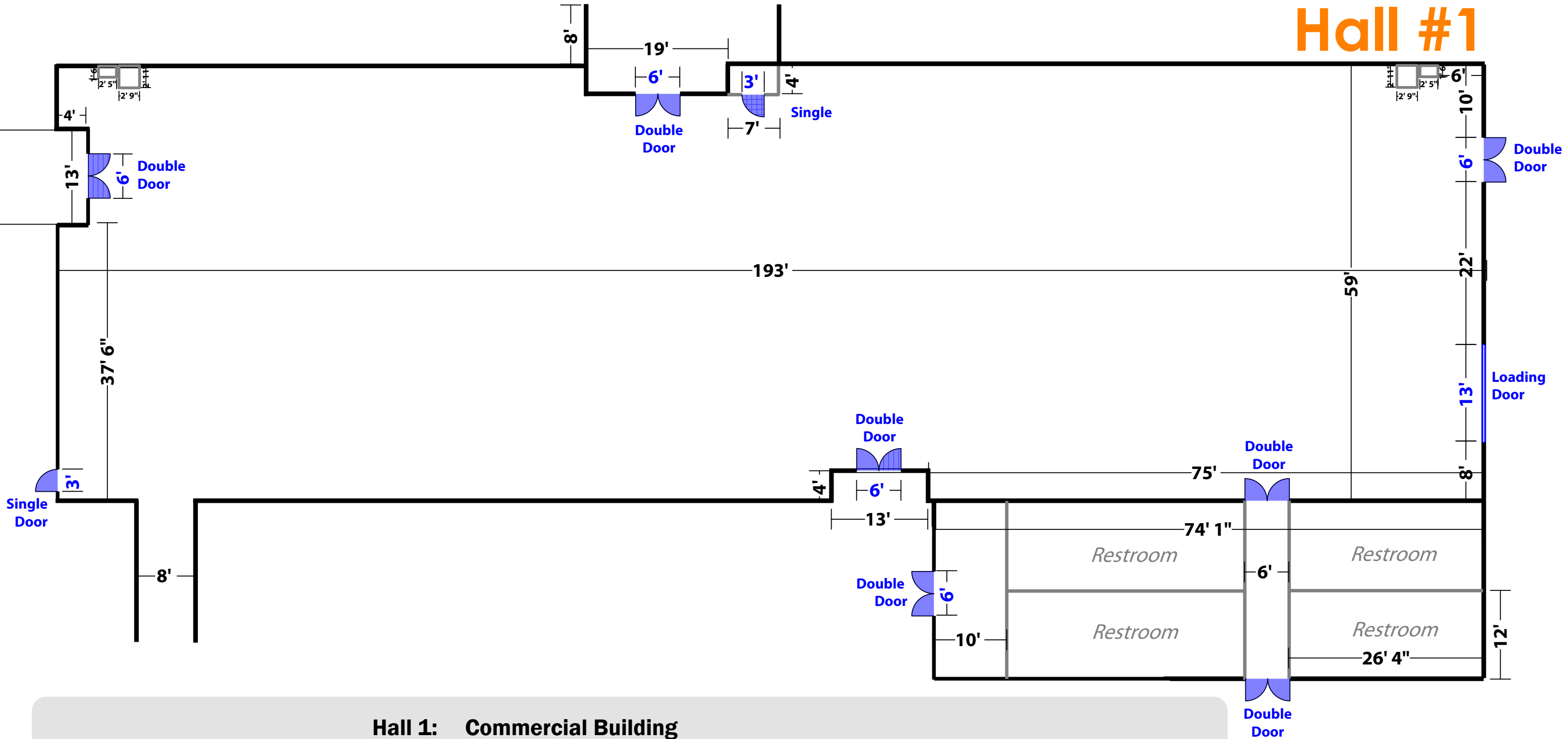


Hall #1



Hall 1: Commercial Building

Sq Ft: 11,484

Measurements: 58 x 198

Detail: Indoor- Climate controlled

Capacity: 1275

Ideal for: Corporate events, political rallies, vendor events, large parties, and more!